

# F-9000SS

WATERFREE URINAL  
STAINLESS STEEL



Patented, sealed cartridge uses a biodegradable sealant liquid to control odors.



Falcon waterfree urinals reduce water and sewer costs, maintenance and repair bills, and create more hygienic, odor-free restrooms. A patented, sealed cartridge eliminates the need for water, conserving an average of 40,000 gallons per unit each year. Purchasing and installing Falcon waterfree urinals is less expensive than manual and automatic flush units because flush valves and associated piping are not required. Maintenance costs and vandalism problems associated with flush valves are also eliminated.

## FEATURES

- Touch-free operation
- Uses no water
- Mechanical-free design
- Patented, sealed locking cartridge
- Maintenance-free cartridge
- Grade 304, 16 gauge stainless steel with matt finish (high polish finish available as special order)
- Smooth, non-porous surfaces

## BENEFITS

- Improved hygiene and safety
- Reduced water and sewer costs
- No costly flush valve or sensor repairs
- Odor-free and vandal proof
- No need to replenish sealant between changes
- Unbreakable, durable, and stylish
- Minimal care and easy cleaning



# F-9000SS

## WATERFREE URINAL STAINLESS STEEL

### INCLUDES

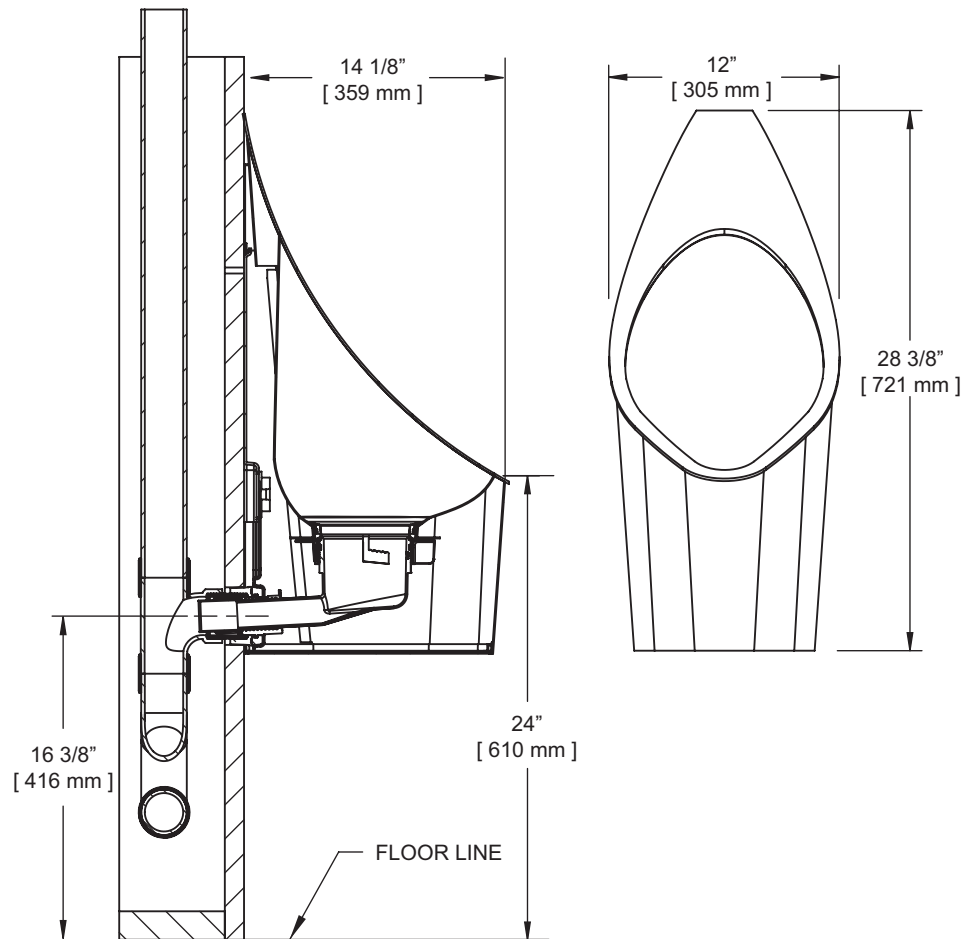
- 304 grade, 16 gauge stainless steel urinal with matt finish (high polish finish option available as special order)
- Cartridge housing (pre-installed)
- One-piece wall bracket with anchors
- Uni-coupler (adaptive waste line coupler)
- Installation instructions
- Drain line test cap
- Professional cartridge change key
- Cartridge kit (includes one cartridge)

### CARTRIDGE KITS INCLUDE

- Sealed cartridge
- Diverter shield
- Installation key
- Pre-measured liquid sealant pack
- Disposal bag
- Plastic gloves
- Instruction sheet

### ALSO AVAILABLE

- Cartridges in economical 20-packs
- Foaming housing cleaner



These dimensions are for informational purposes only. For specific rough-in dimensions, please refer to specification sheets available on our web site or by contacting us directly.

### COMPLIANCE CERTIFICATIONS:



Meets the American Disabilities Act guidelines and ANSI A117.1 accessible and usable buildings and Facilities. Check local codes.



Falcon Waterfree Technologies, LLC  
751 Kenmoor Avenue SE, Suite F  
Grand Rapids, MI 49546  
Tel: 866.275.3718 (toll-free)  
or 616.954-3570  
Fax: 616.954.3579  
info@falconwaterfree.com

www.falconwaterfree.com